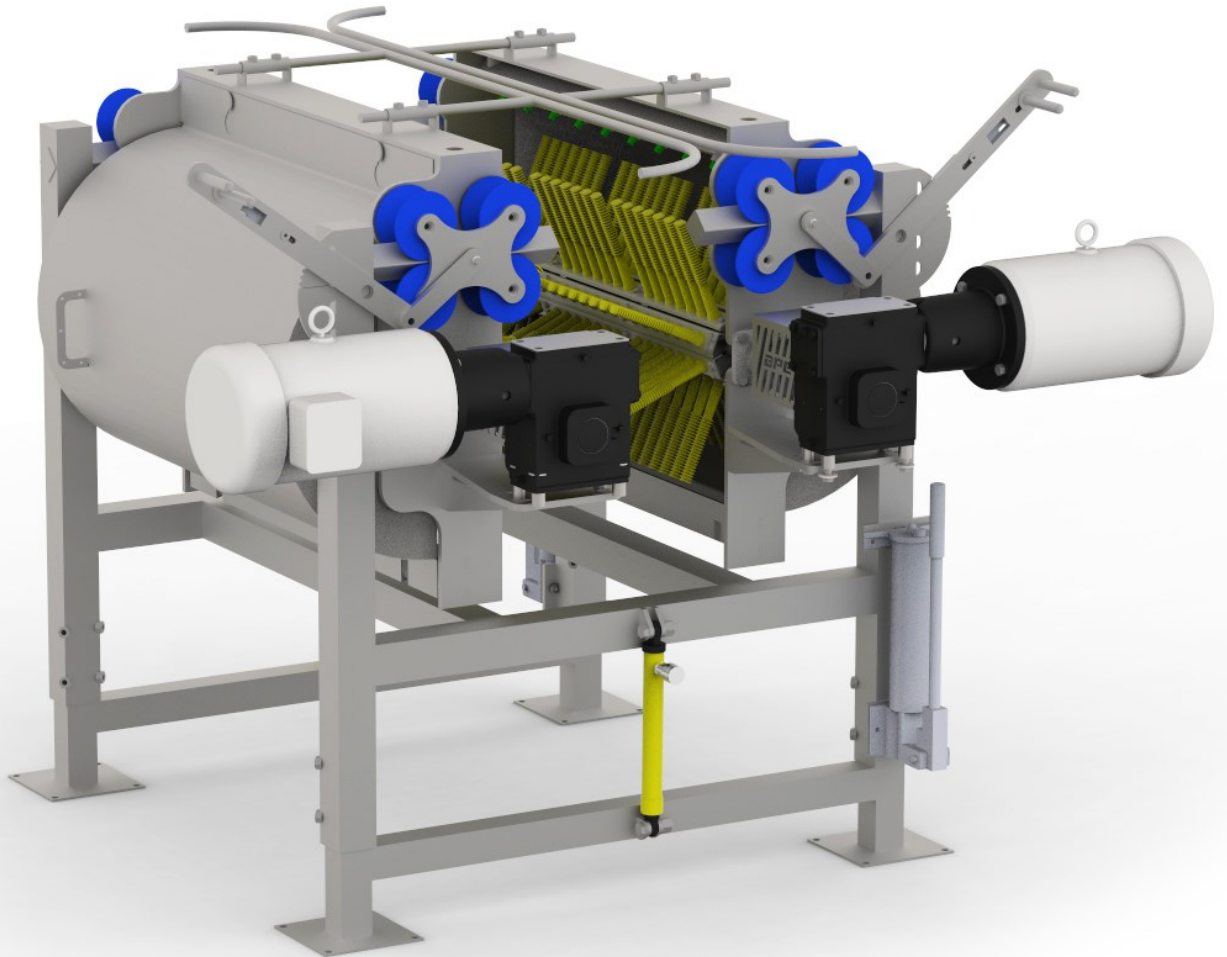


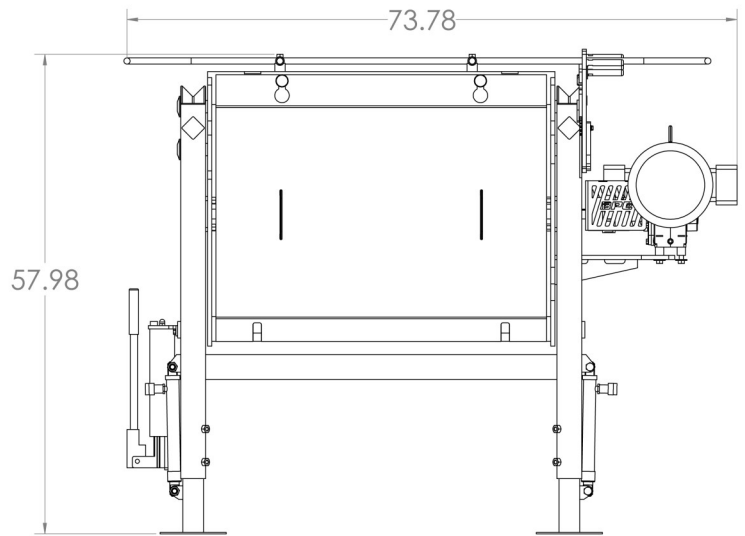
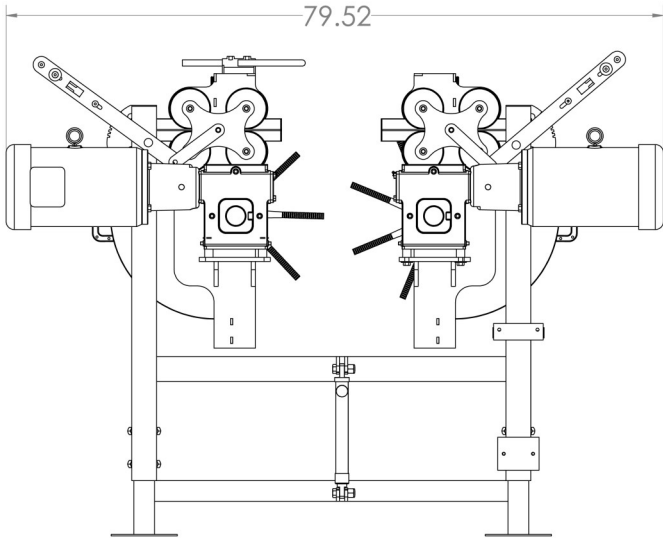
Model B-WP-4-48

Berry Wing Picker 4-48



The Berry Wing Picker B-WP-4-48 is designed to clean the wings by the rotating rubber fingers which are placed to gently brush away cuticle matter, then rinse the matter away with use of the water spray nozzles. The model B-WP-4-48 is constructed of stainless steel, Teflon, and aluminum for durability and easy clean up and has the capacity to process up to 300 birds per minute. The model B-WP-4-48 should be positioned after the last bird picker on the picking line.

Berry Wing Picker 4-48



WATER	1/2" NPT CONNECTION (9) SPRAY NOZZLES PER SIDE RANGE @ 5 PSI, 1 GPM UP TO 60 PSI, 3.5 GPM 40 PSI, 30 GPM FOR ALL
POWER	(2) ELECTRIC MOTORS, 10 HP, 1770 rpm, 3 ph, 60 hz
CAPACITY	UP TO 300 BPM
HEIGHT	APPROX. 58"
WIDTH	APPROX. 80"
LENGTH	APPROX. 74"

The specifications as stated herein are the most current at the time of publication. However, consistent with our standard of continual product development, we reserve the right to change the design without notice or obligation to modify any equipment previously sold or delivered.

4/10/2008

Berry Plumbing & Equipment

6736 Cleveland Highway, Clermont Georgia 30527
 Email: tberry@berryequipment.net
 Phone: 770-983-3929 Toll Free Fax: 1-866-808-9957