

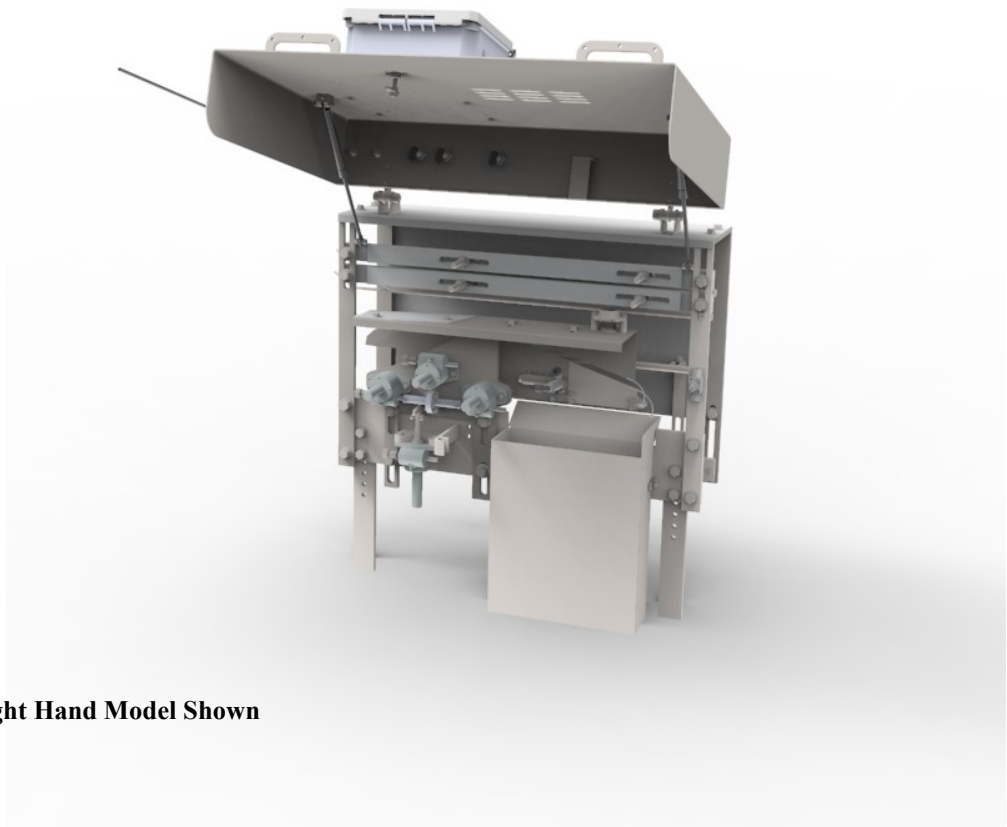
Berry Breast Cartilage Harvest System

Model BBCHS-BPE-9888 (RH)

Model BBCHS-BPE-9889 (LH)

Patent Number: US 6283847 B1

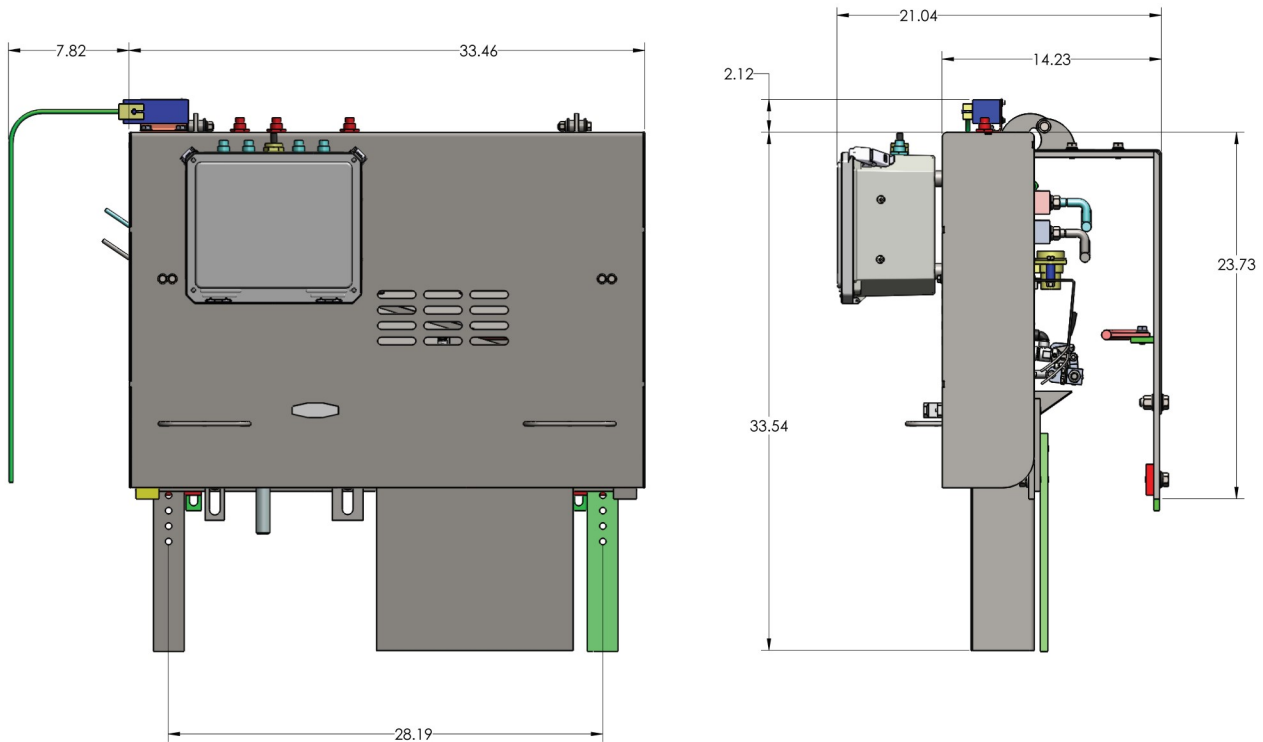
Right hand shown



Right Hand Model Shown

The **Berry Plumbing & Equipment Model BBCHS-BPE-9888 (RH) or BBCHS-BPE-9889 (LH)** is fed by a Cone Deboning line and powered by 110 volts. It is designed to cleanly and efficiently remove the cartilage from the carcass. This machine will handle the same capacity as your Cone Deboning line.

Berry Breast Cartilage Harvester



AIR:	90 PSI
ELECTRICITY:	110V
CAPACITY:	DEPENDANT ON LENGTH OF DEBONING LINE
POSITION IN LINE:	LAST ON DEBONING LINE
FACING:	DETERMINED BY HAND OF DEBONING LINE
HEIGHT:	APPOX 35" CLOSED APPROX 46" OPEN
WIDTH:	APPOX 42"
DEPTH:	APPOX 22" CLOSED APPROX 34" OPEN

The specifications as stated herein are the most current at the time of publication. However, consistent with our standard of continual product development, we reserve the right to change the design without notice or obligation to modify any equipment previously sold or delivered. 10/01/2010

Berry Plumbing & Equipment
 6736 Cleveland Highway, Clermont Georgia 30527
 Email: tberry@berryequipment.net
 Phone: 770-983-3929 Toll Free Fax: 1-866-808-9957

Berry Breast Cartilage Harvester

Construction:

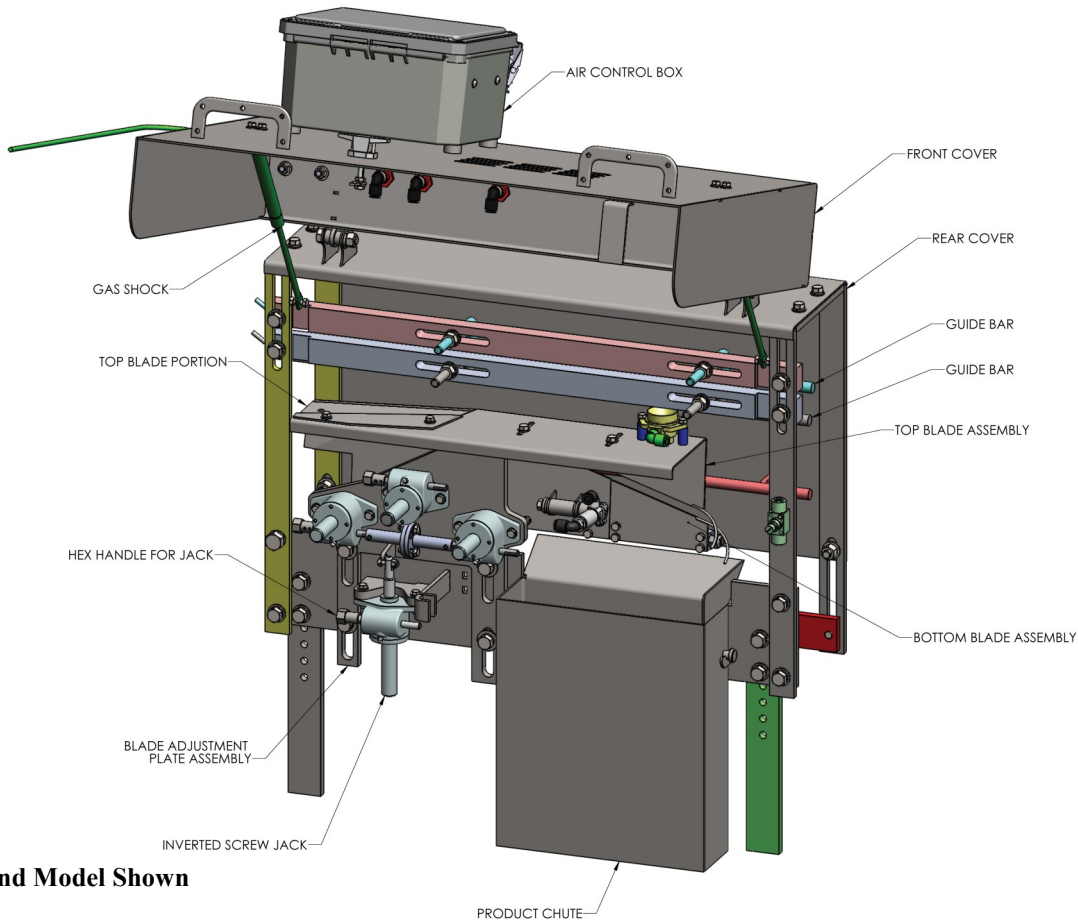
The **Berry Breast Cartilage Harvester** is designed for maximum safety and ease of operation. The machine is constructed entirely of stainless steel and uhmw for durability and easy cleanup.

Operation:

Installed at the end of the Cone Deboning line, with proper adjustment of its unique combination of guide bars and stationary blades, the Berry Breast Cartilage Harvest System cleanly and efficiently separates the cartilage from the carcass. Automatically matches the speed and capacity of the Cone Line.

Maintenance:

Almost maintenance free except for keeping the blades sharpened and guide bars adjusted for optimum performance. Requires daily regular cleaning.



Right Hand Model Shown

The specifications as stated herein are the most current at the time of publication. However, consistent with our standard of continual product development, we reserve the right to change the design without notice or obligation to modify any equipment previously sold or delivered. 10/01/2010

Berry Plumbing & Equipment
6736 Cleveland Highway, Clermont Georgia 30527
Email: tberry@berryequipment.net
Phone: 770-983-3929 Toll Free Fax: 1-866-808-9957