

Cuticle Brush B-CB-1



The Berry Plumbing and Equipment Cuticle Brush uses hydraulic motors to rotate the HDPE brushes in a downward motion, gently scrubbing and removing the yellow cuticle from the hock as the overhead conveyor carries it through the machine. A water rail with spray jets rinses away debris and keeps the brushes clean. A set of horizontally and vertically adjustable guide bars direct the hock to the most optimum range for cleaning, while a single adjustable guide bar keeps the hock stable against the brush.

Construction:

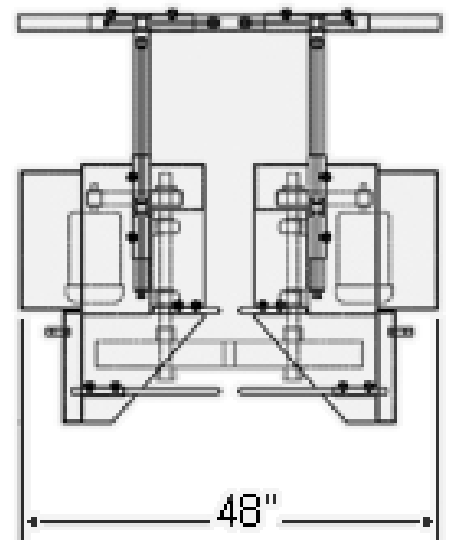
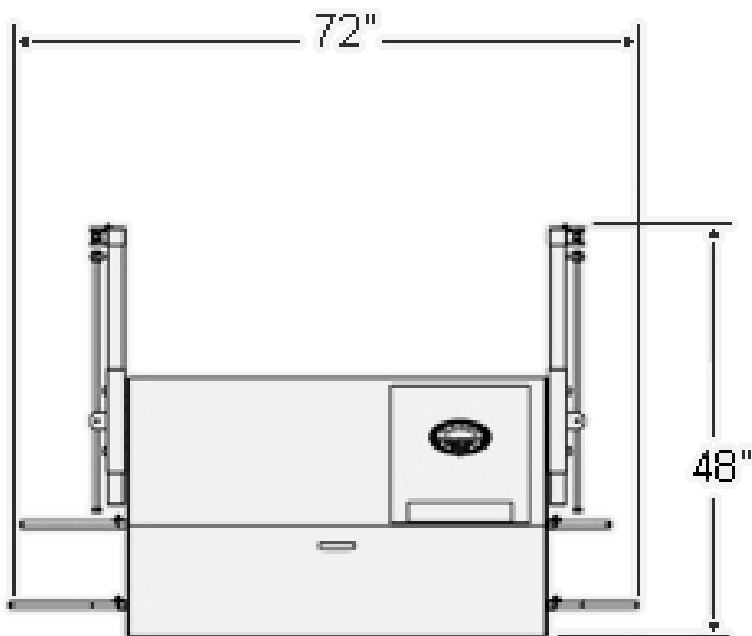
The Berry Plumbing & Equipment **Cuticle Brush** is constructed entirely of stainless steel and UHMW for durability and easy cleanup.

Operation:

Hydraulic motors rotate the HDPE brushes in a downward motion, gently scrubbing and removing the yellow cuticle from the hock as the overhead conveyor carries it through the machine. A water rail with spray jets rinses away debris and keeps the brushes clean. A set of horizontally and vertically adjustable guide bars direct the hock to the most optimum range for cleaning, while a single adjustable guide bar keeps the hock stable against the brush.

Maintenance:

Check all bearings for wear. Lubricate all grease fittings daily as required with a U.S.D.A. approved lubrication. Adjust Guide Bars as required.



WATER:	3/4" CONNECTION—10.22 GPM @ 60 PSI (.73 GPM PER SPRAY NOZZLE)
POWER:	HYDRAULIC OR ELECTRIC
CAPACITY:	250 BPM