

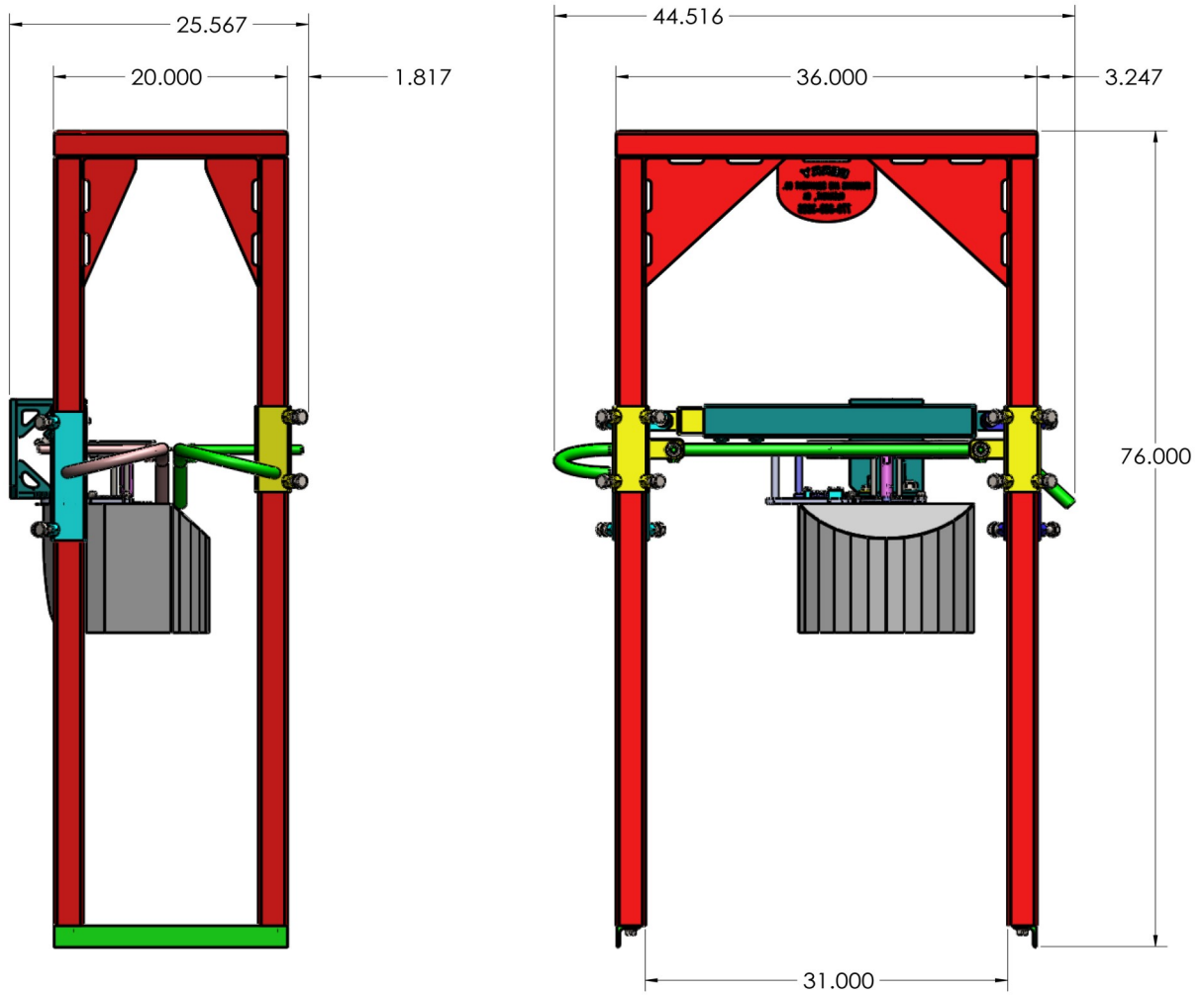
Model BHP-BPE-10309 (LH)
&
Model BHP-BPE-10310 (RH)



The Berry Plumbing & Equipment **Head puller** is constructed entirely of stainless steel for durability and easy cleanup. Automatically fed and Electrically powered, the Berry **Head puller** matches the speed of your Overhead Conveyor. The Berry **Head puller** is designed to remove the head from your product as it passes through on the line. This product reduces labor costs and increases line efficiency.

Berry Head Puller

232



ELECTRICITY	MOTOR, 1HP, 1140 RPM, 60 HZ, 208-230/460 V
CAPACITY	DEPENDANT UPON LINE SPEED
HEIGHT	APPROX 76"
WIDTH	APPROX 45"
LENGTH	APPROX 25"