

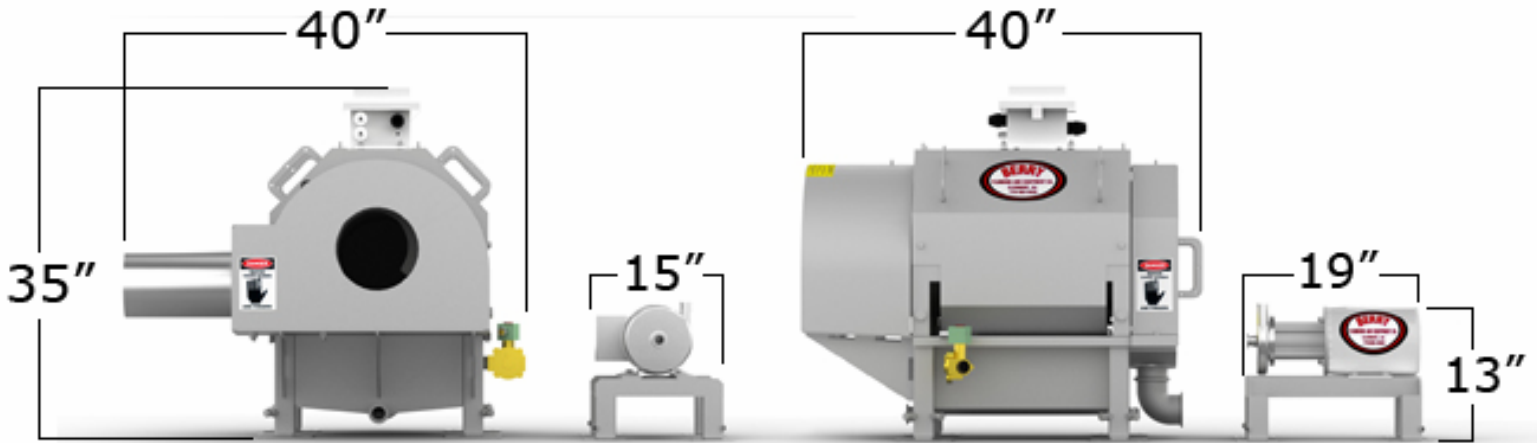
**Berry B-WS-6-60**

**B-WS-6-60**



The Berry Water Re-Use Screen is designed to filter out all heavy solids, separating them from the water coming from the final bird washers and reusing that water in various areas throughout the plant. The screen is made up of stainless steel construction and is gear to gear driven. Capable of recycling up to 60 gallons of water per minute.

## Berry WS6-60



WATER	1 1/2" PUMP CONNECTION, 1" FRESH WATER CONN.
ELECTRICTY	1/2 hp mtr, 3 PHASE, 1750 RPM, 230/460V, 60HZ
CAPACITY	Up to 60 GPM
HEIGHT	35" APPROX
WIDTH	40" APPROX
LENGTH	40" APPROX

The specifications as stated herein are the most current at the time of publication. However, consistent with our standard of continual product development, we reserve the right to change the design without notice or obligation to modify any equipment previously sold or delivered. 12/31/2000

**Berry Plumbing & Equipment**  
 6736 Cleveland Highway, Clermont Georgia 30527  
 Email: [tberry@berryequipment.net](mailto:tberry@berryequipment.net)  
 Phone: 770-983-3929 Toll Free Fax: 1-866-808-9957

## Berry WS6-60

### Construction:

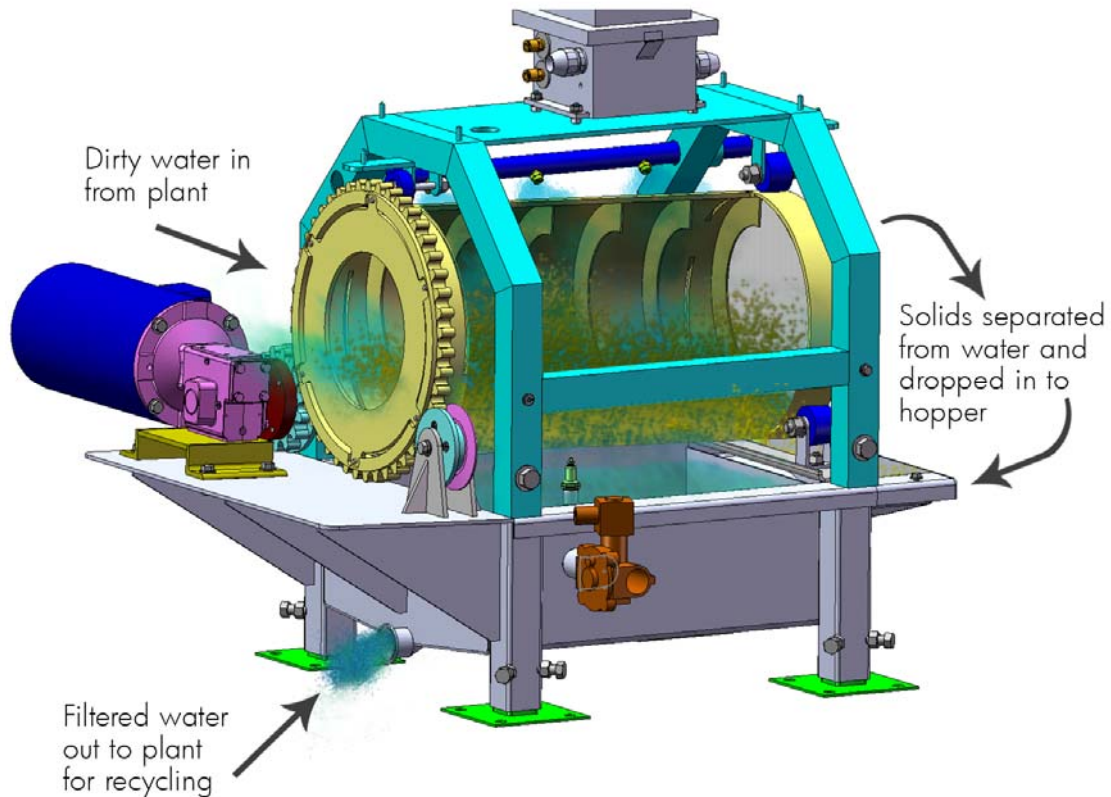
The **Berry WS6** is designed for maximum safety and ease of operation. The machine is constructed entirely of stainless steel and uhmw for durability and easy cleanup.

### Operation:

The **Berry WS6** is a gear driven rotary screen built of stainless steel construction that is capable of recycling up to 60 GPM of water from the bird washers and/or other processing equipment.

### Maintenance:

With proper operation, the only other maintenance the **Berry WS6** requires is daily cleaning and checking of various parts such as the bearings, gears and rollers for wear and fractures.



The specifications as stated herein are the most current at the time of publication. However, consistent with our standard of continual product development, we reserve the right to change the design without notice or obligation to modify any equipment previously sold or delivered.

12/31/2000

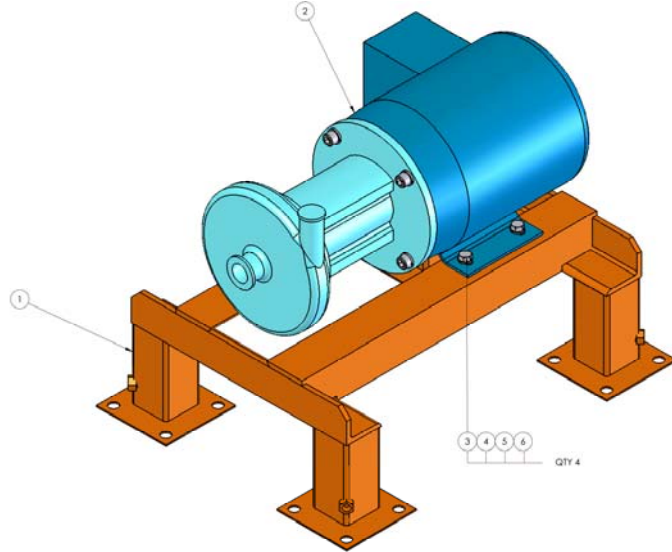
### **Berry Plumbing & Equipment**

6736 Cleveland Highway, Clermont Georgia 30527

Email: [tberry@berryequipment.net](mailto:tberry@berryequipment.net)

Phone: 770-983-3929 Toll Free Fax: 1-866-808-9957

# Berry WS6-60



Pump and Motor assembly for pumping recycled water from Berry Water Reuse Screen BWS6-60 to desired reuse area in plant.

LOC	BPE PART #	DESCRIPTION	QTY.
1	BWS6-PS-1000	WELDMENT, PUMP STAND	1
2	BPE-1113	3/4 HP PUMP	1
	BPE-1124	3/4 HP MOTOR, 3 PHASE, 3450 RPM, 230/460 V, 60 HZ	1

The specifications as stated herein are the most current at the time of publication. However, consistent with our standard of continual product development, we reserve the right to change the design without notice or obligation to modify any equipment previously sold or delivered. 12/31/2000

**Berry Plumbing & Equipment**  
 6736 Cleveland Highway, Clermont Georgia 30527  
 Email: [tberry@berryequipment.net](mailto:tberry@berryequipment.net)  
 Phone: 770-983-3929 Toll Free Fax: 1-866-808-9957