

Model B-BT-1



Berry's **Breast Thumper Model B-BT-1 B** is designed to loosen skin on breast to produce higher quality yield without damaging product.

Berry Breast Thumper

Berry Breast Thumper B-BT-1

CONSTRUCTION:

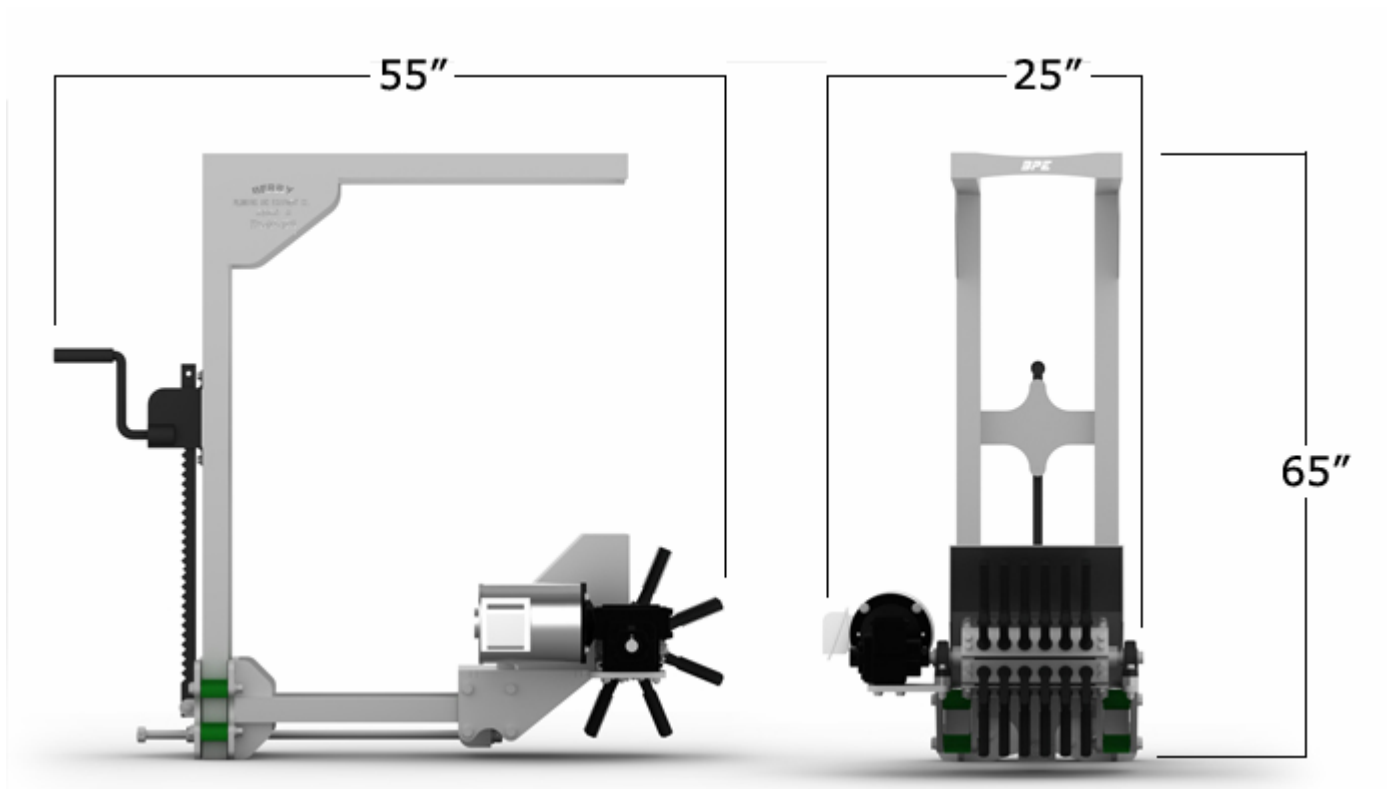
The Berry Breast Thumper is constructed entirely of stainless steel for durability and easy clean-up.

OPERATION:

As birds come into machine fingers will beat breasts loosening skin and allowing water from snova system to penetrate the area which will then gain moisture.

MAINTENANCE:

The Berry Breast Thumper requires little maintenance aside from daily cleaning and greasing of all fittings.



| | |
|--------------------|------------------------|
| WATER | 3/8" Poly Flow Fitting |
| ELECTRICITY | 230v to Motor |
| LENGTH | Approximately 55" |
| HEIGHT | APPROX 65" |
| WIDTH | Approximately 25" |

The specifications as stated herein are the most current at the time of publication. However, consistent with our standard of continual product development, we reserve the right to change the design without notice or obligation to modify any equipment previously sold or delivered.

07/13/2011