

Model B-HPU



3 Station shown

The B-HPU Hydraulic Power Unit by Berry Plumbing & Equipment can be sized and equipped for your specific requirements. Speak to one of our representatives about having an HPU designed for you. Berry Hydraulic Units are available in 2, 3, or 4 Station. Features include 15 horsepower motors, 20 gallon pumps and Air Cooled Heat Exchanger (not shown). Custom designed with the customer needs in mind!

Berry Hydraulic Power Unit — 2 Station—120 gallon tank

(2) Pump:

20 gpm
1800 rpm
1500 psi

Connections:

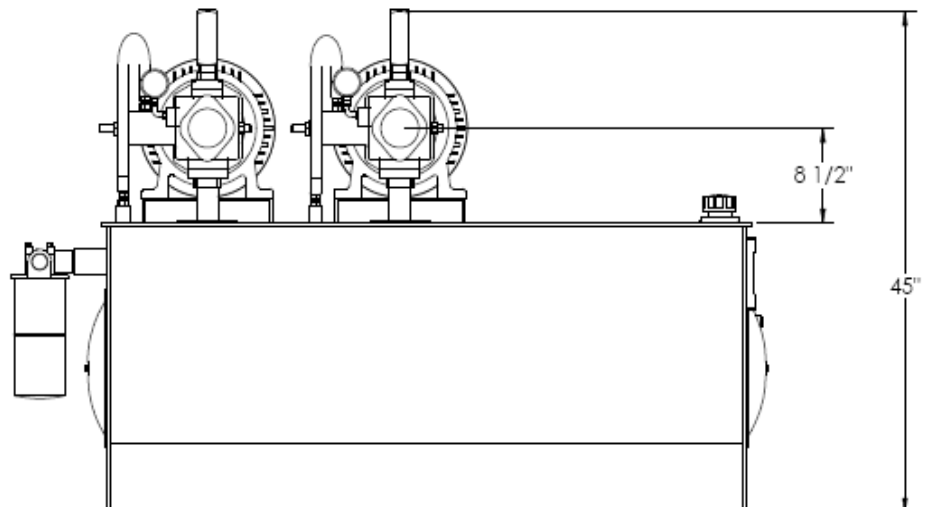
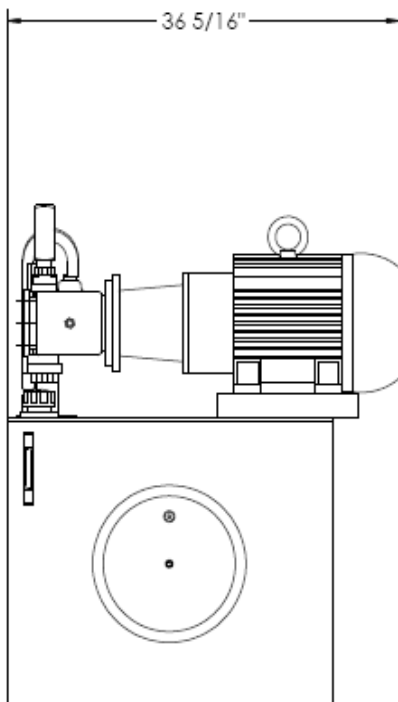
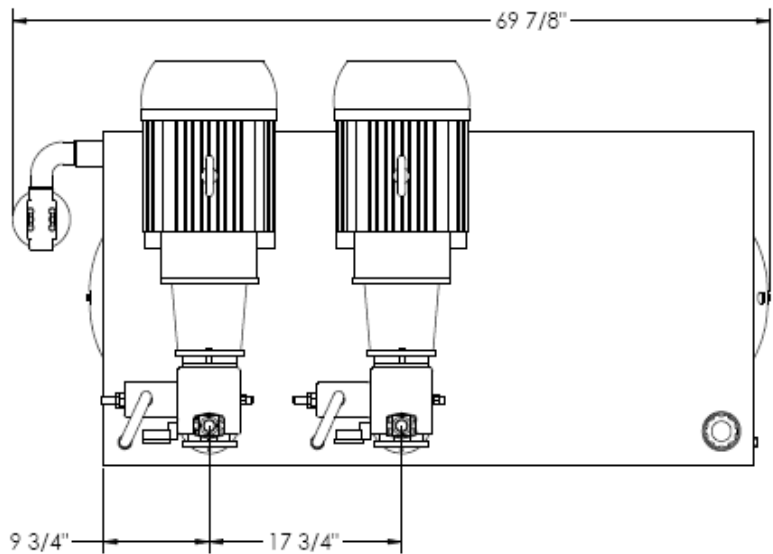
Fluid into Oil Cooler: 1-1/4" NPT
1-1/4" NPT to HPU (Customer supplies hoses)

(2) Motor:

15 hp
1800 rpm
208-230 / 460 V
17.5 amps
3 Phase
Full load torque = 44.0 ft. lb.

(1) Heat Exchanger: AC 25-1 Model

Inlet and Outlet connections = 1-1/4"
1/6 hp
1 Phase
115 / 230 V
60 / 50 Hz
RPM 1140-950
Full load amp 1.9 / .95-2.2 / 1.1
TEFC



Berry Hydraulic Power Unit — 3 Station—120 gallon tank

(3) Pump:

20 gpm
1800 rpm
1500 psi

Connections:

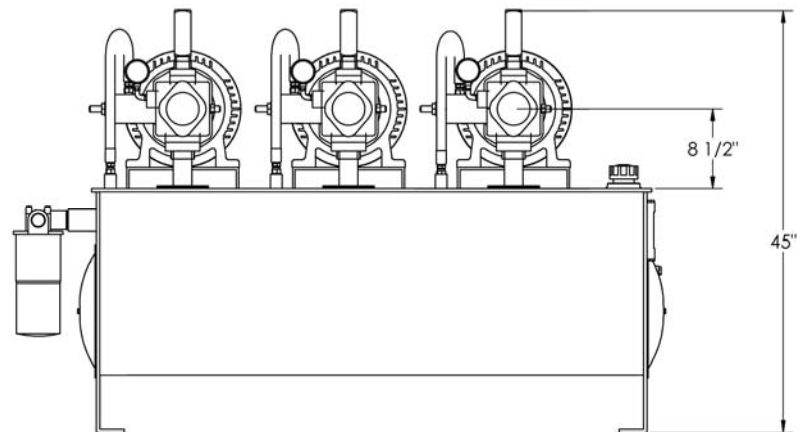
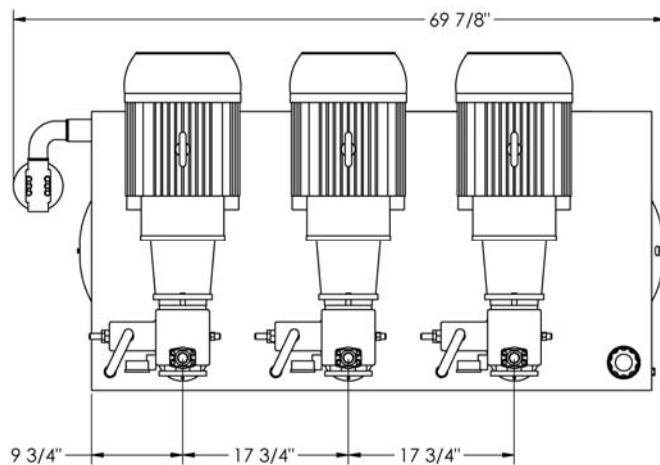
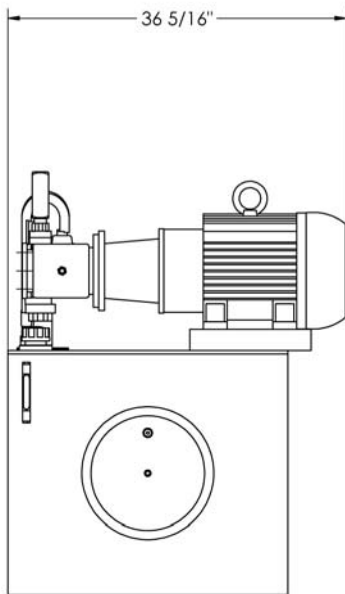
Fluid into Oil Cooler: 1-1/4" NPT
1-1/4" NPT to HPU (Customer supplies hoses)

(3) Motor:

15 hp
1800 rpm
208-230 / 460 V
17.5 amps
3 Phase
Full load torque = 44.0 ft. lb.

(1) Heat Exchanger: AC 25-1 Model

Inlet and Outlet connections = 1-1/4"
1/6 hp
1 Phase
115 / 230 V
60 / 50 Hz
RPM 1140-950
Full load amp 1.9 / .95-2.2 / 1.1
TEFC



Berry Hydraulic Power Unit — 4 Station—200 gallon tank

(4) Pump:

20 gpm
1800 rpm
1500 psi

Connections:

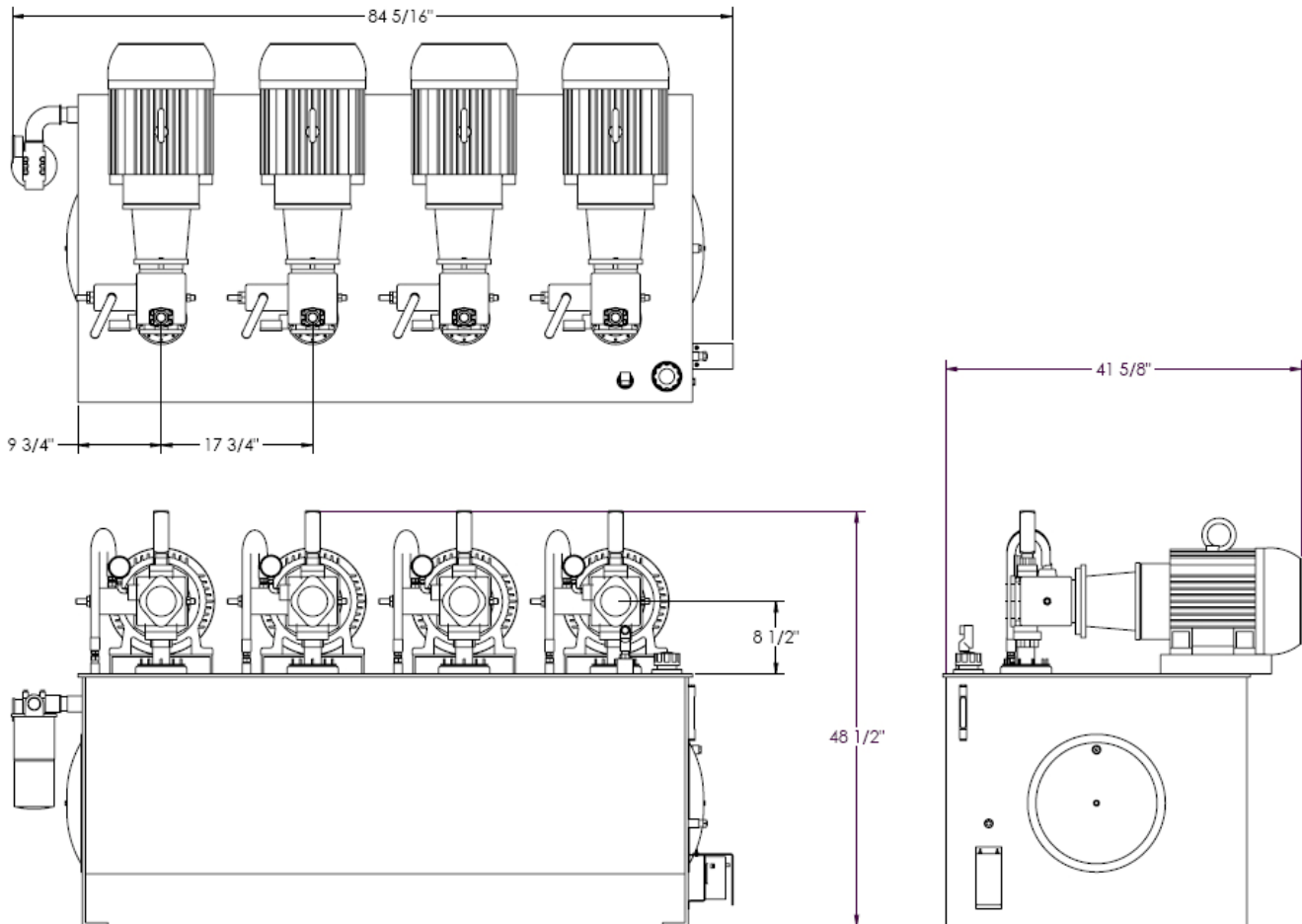
Fluid into Oil Cooler: 1-1/4" NPT
1-1/4" NPT to HPU (Customer supplies hoses)

(4) Motor:

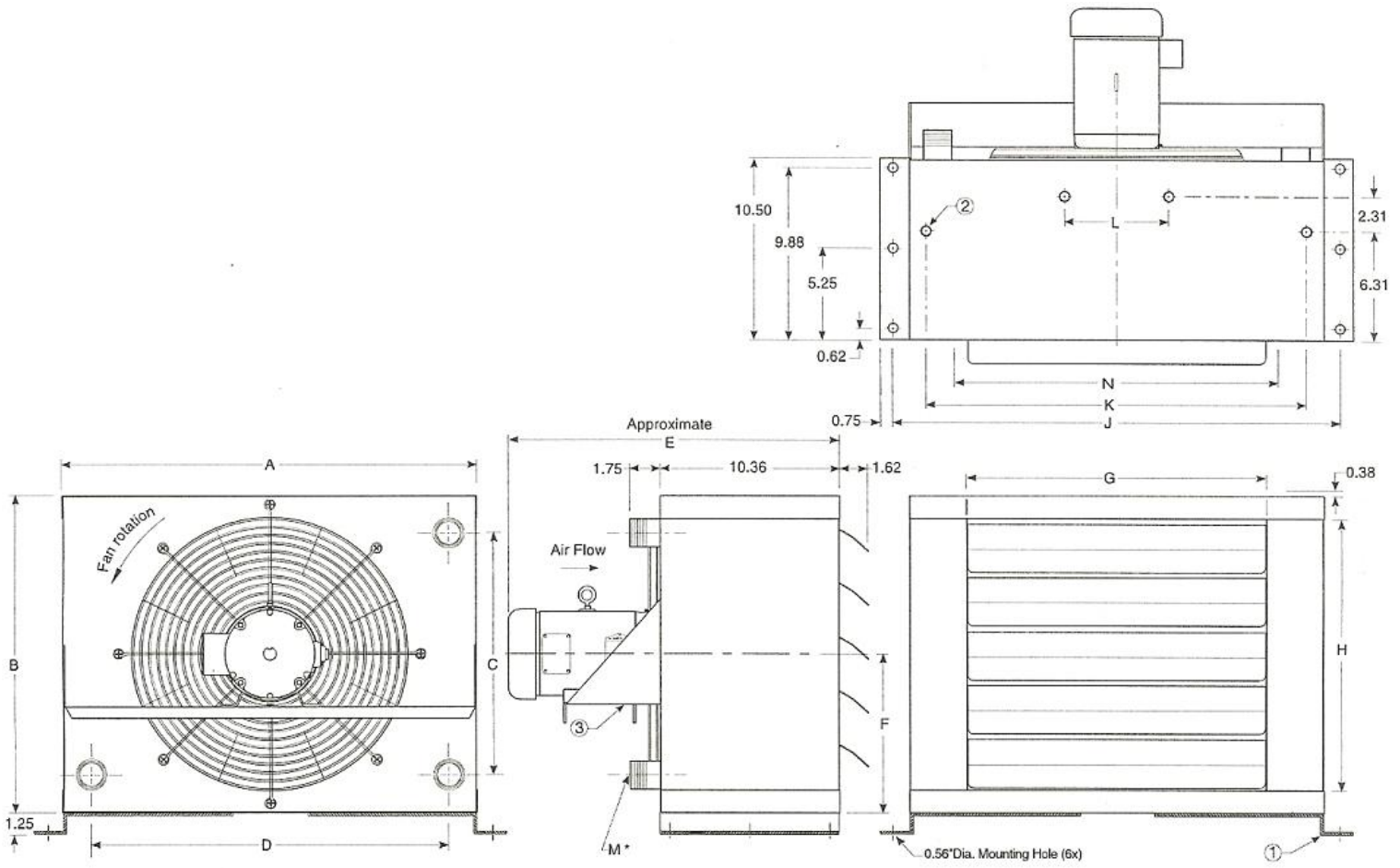
15 hp
1800 rpm
208-230 / 460 V
17.5 amps
3 Phase
Full load torque = 44.0 ft. lb.

(1) Heat Exchanger: AC 30-1 Model

Inlet and Outlet connections = 1-1/4"
1/6 hp
1 Phase
115 / 230 V
60 / 50 Hz
RPM 1140-950
Full load amp 1.9 / .95-2.2 / 1.1
TEFC



AC Oil Cooler Dimensions:
 AC-25 for 2 and 3 station hydraulic power units
 AC-30 for 4 station hydraulic power unit



| DIMENSIONS (inches) | | | | | | | | | | | | | |
|---------------------|-------|-------|-------|-------|-------|-------|-------|-------|-------|-------|-------|----------|--------------------|
| Model | A | B | C | D | E | F | G | H | J | K | L | M NPT | M SAE |
| AC - 25 - * | 26.68 | 23.63 | 19.25 | 23.56 | 17.56 | 11.81 | 20.19 | 21.00 | 28.68 | 24.81 | — | 1.25 | 20 SAE |
| AC - 30 - * | 31.63 | 27.56 | 23.19 | 28.50 | 17.63 | 13.78 | 25.13 | 24.94 | 33.63 | 29.75 | 11.00 | 1.25 | 1 5/8 - 12UN-2B |