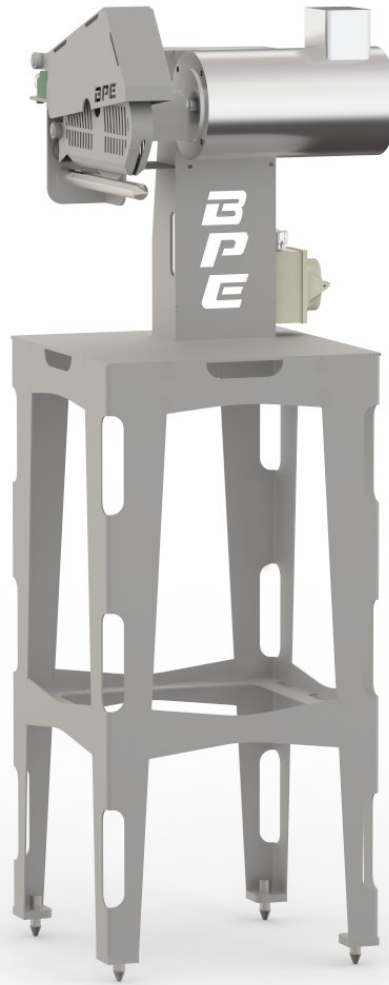


Model B-CS-13



The newly designed **B-CS-13, Cut-UP Saw**, is a part of the new Berry Sanitary Product Line. This saw includes features such as no tubing, pointed feet, and spaced bolt-on parts for easy clean-up access. Berry's **B-CS-13, Cut-Up Saw** is electrically powered and manually fed.

Construction:

The Model B-CS-13 Cut-Up Saw from Berry Plumbing & Equipment is manufactured entirely of stainless steel for rust resistance and easy cleanup.

Operation:

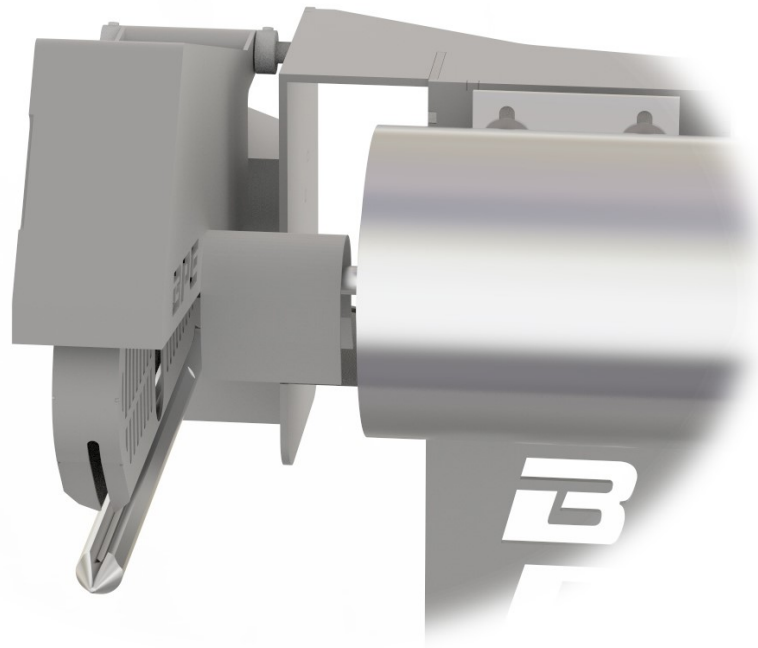
The guide rod beneath the blade helps the operator to position the pieces for cutting. The blade cover remains stationary as it rests upon the angle frame around the blade. The blade guard, covering only the lower part of the blade, is pushed up by the meat being cut, exposing the minimum amount of blade necessary for operation. The Berry Model B-CS-13 Cut-Up Saw is uniquely designed for maximum safety and ease of operation.

Maintenance:

Smooth rounded surfaces and easily removable covers make thorough clean up easy for the cleaning personnel. The circular blade should be kept sharpened.

Options:

The Cut-Up Saw is available with a bagger attachment for efficient packing of parts, Model B-CS-13-B. It is also available the table model **B-CS-13-T** (shown on front).



The specifications as stated herein are the most current at the time of publication. However, consistent with our standard of continual product development, we reserve the right to change the design without notice or obligation to modify any equipment previously sold or delivered. 12/31/2000

Berry Plumbing & Equipment

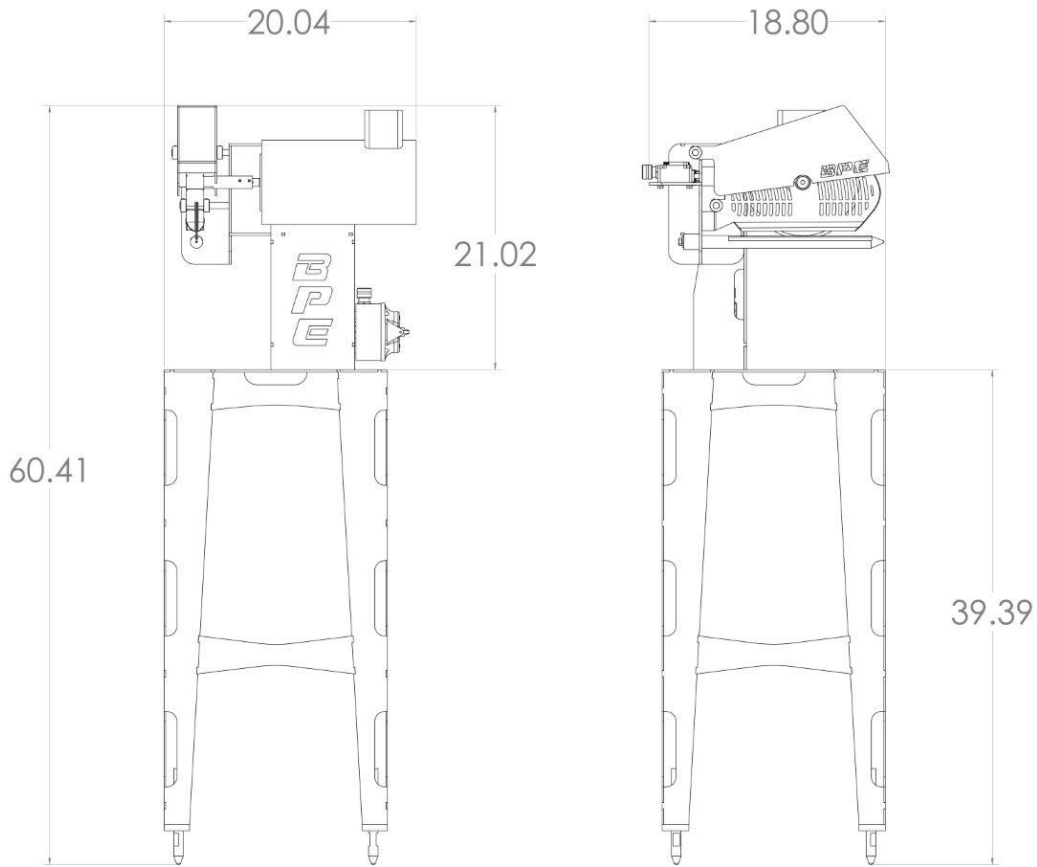
6736 Cleveland Highway, Clermont Georgia 30527

Email: tberry@berryequipment.net

Phone: 770-983-3929 Toll Free Fax: 1-866-808-9957

Berry Plumbing & Equipment

140, Item F



INSTALLED POWER:	1 HP Stainless Steel Motor, Single Phase, 230 V, 60HZ, 1750 RPM
CAPACITY:	3 to 4 Birds Per Minute (depending on operator)
HEIGHT:	Approx. 61"
WIDTH:	Approx. 21"
LENGTH:	Approx. 19"

The specifications as stated herein are the most current at the time of publication. However, consistent with our standard of continual product development, we reserve the right to change the design without notice or obligation to modify any equipment previously sold or delivered. 12/31/2000

Berry Plumbing & Equipment
 6736 Cleveland Highway, Clermont Georgia 30527
 Email: tberry@berryequipment.net
 Phone: 770-983-3929 Toll Free Fax: 1-866-808-9957