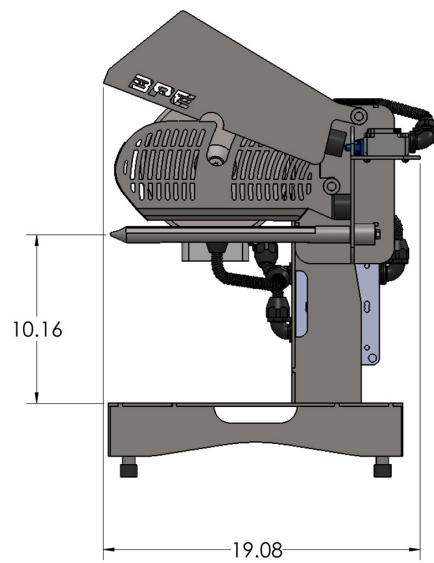
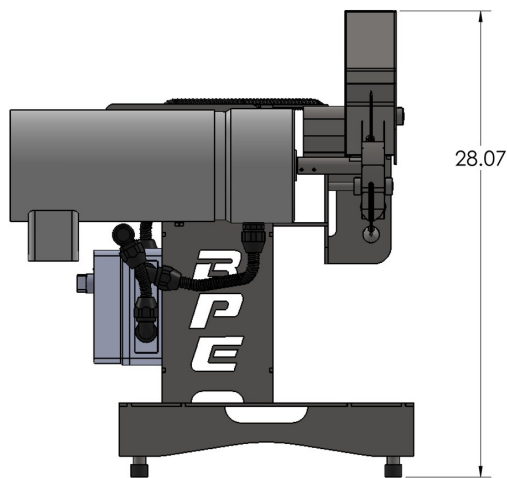
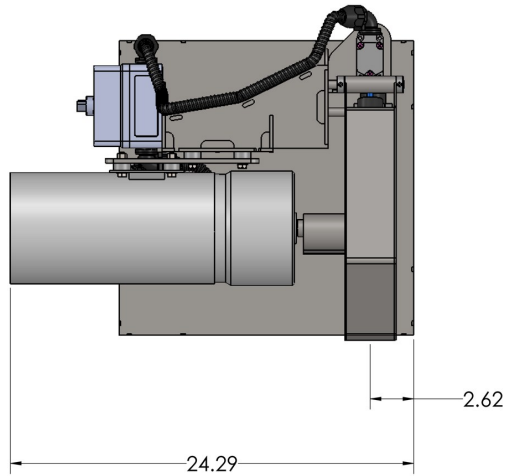


**Model BPE-10552 (LH)
BPE-10555 (RH)**



Berry's unique **Wing Cut-Up Saw** with Brake Motor is specifically designed for maximum safety. When staffed by an efficient staff, the Wing Cut-up saw provides quality yield of premium poultry parts.

Berry Wing Cut-Up Saw



INSTALLED POWER:	1 HP Stainless Steel Motor, Single Phase, 115 / 230-60-1, 1750 RPM (Wire Unit for 110 Volt Connection)
CAPACITY:	Manually Operated, Approx . 3 to 4 Birds Per Minute (depending on operator)
HEIGHT:	Approx. 28"
WIDTH:	Approx. 30 "
LENGTH:	Approx. 19"

Berry Wing Cut-Up Saw

Construction:

The Wing Cut-Up Saw with Brake Motor from Berry Plumbing & Equipment is manufactured entirely of stainless steel for rust resistance and easy cleanup.

Operation:

The guide rod beneath the blade helps the operator to position the pieces for cutting. The blade cover remains stationary as it rests upon the angle frame around the blade. The blade guard, covering only the lower part of the blade, is pushed up by the meat being cut, exposing the minimum amount of blade necessary for operation. The Berry Wing Cut-Up Saw is uniquely designed for maximum safety and ease of operation.

Maintenance:

Smooth rounded surfaces and easily removable covers make thorough clean up easy for the cleaning personnel. The circular blade should be kept sharpened.

Options:

The Wing Cut-Up Saw is available with a bagger attachment for efficient packing of parts, can be outfitted with 1 phase motor if requested, and available in both left hand or right hand models.

The specifications as stated herein are the most current at the time of publication. However, consistent with our standard of continual product development, we reserve the right to change the design without notice or obligation to modify any equipment previously sold or delivered. 12/5/2025

Berry Plumbing & Equipment

6736 Cleveland Highway, Clermont Georgia 30527

Email: tberry@berryequipment.net

Phone: 770-983-3929 Toll Free Fax: 1-866-808-9957