

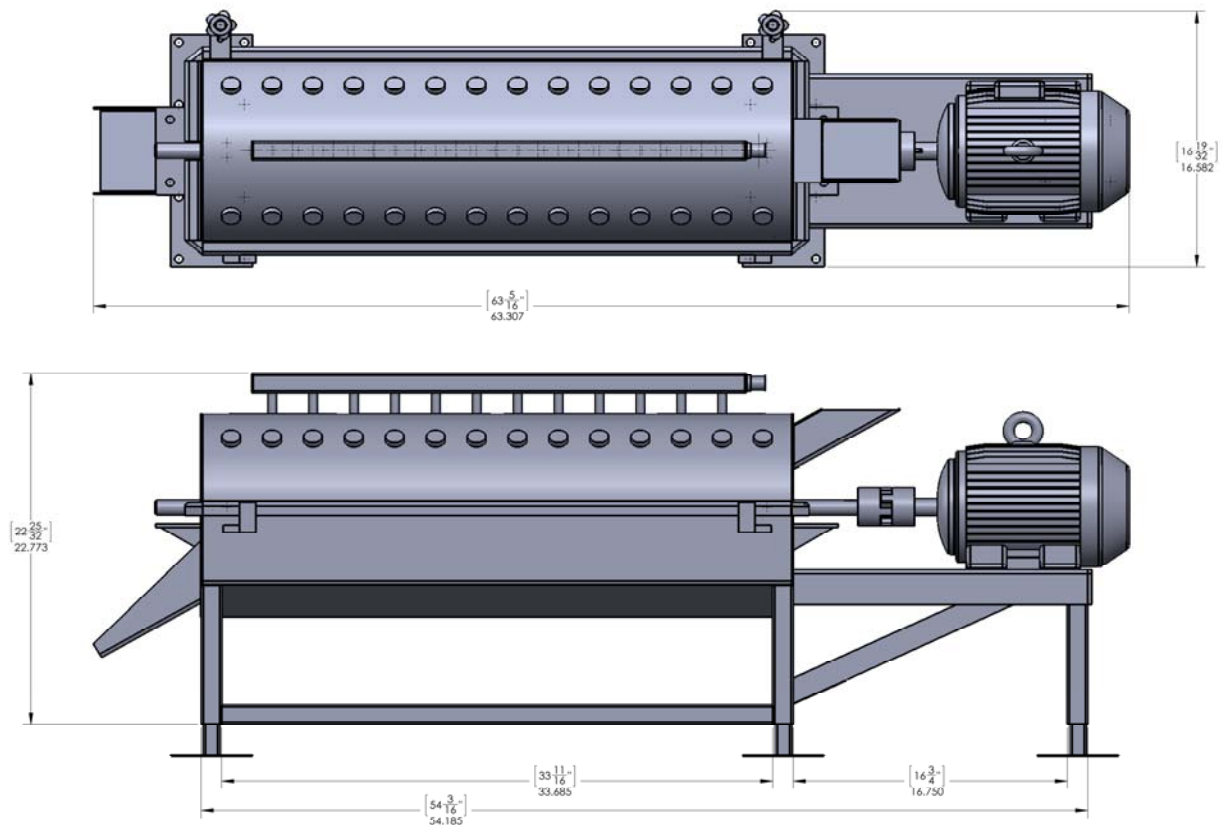
# Berry Gizzard Defatter

## **Model B-GD-1**



The Berry Gizzard Defatter is designed to separate fat and unwanted product from the gizzards. Requiring as little maintenance as possible the Model B-GD-1 is

# Berry Gizzard Defatter



892 4/23/11

GIZZARD DEFATTER  
36 INCH

<b>WATER:</b>	1" CONNECTION
<b>ELECTRICITY:</b>	1 H.P. ELECTRIC MOTORS
<b>CAPACITY:</b>	600 GIZZARDS PER HOUR
<b>HEIGHT:</b>	28" ADJUSTIBLE
<b>WIDTH:</b>	16"
<b>LENGTH:</b>	56" (INCLUDING MOTOR—CABINET IS 36" )

The specifications as stated herein are the most current at the time of publication. However, consistent with our standard of continual product development, we reserve the right to change the design without notice or obligation to modify any equipment previously sold or delivered. 4/10/2008

**Berry Plumbing & Equipment**  
 6736 Cleveland Highway, Clermont Georgia 30527  
 Email: [tberry@berryequipment.net](mailto:tberry@berryequipment.net)  
 Phone: 770-983-3929 Toll Free Fax: 1-866-808-9957