

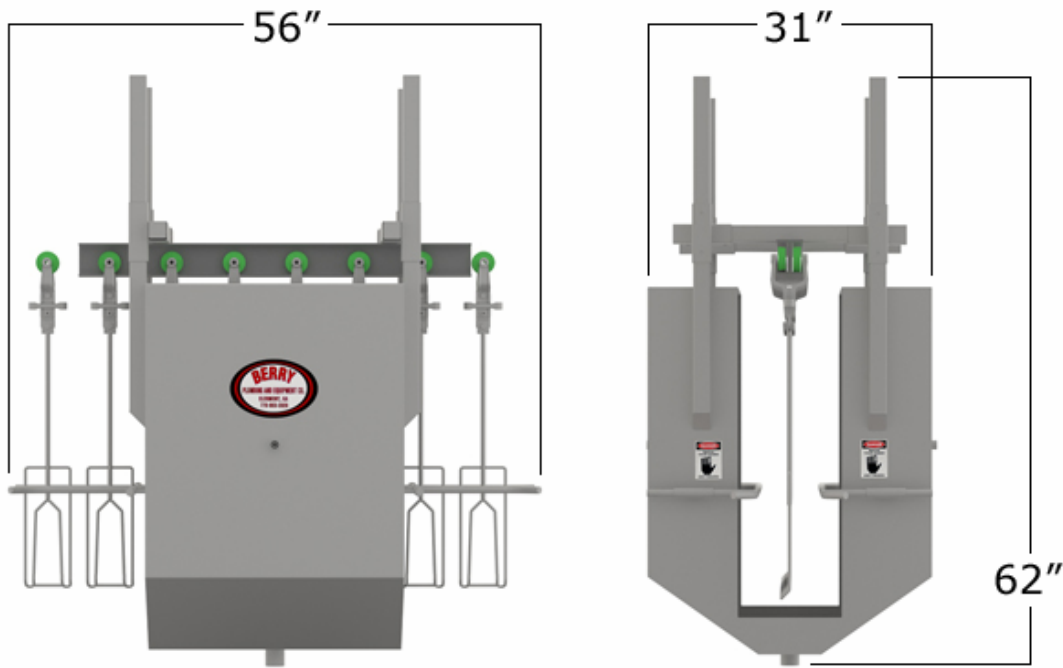
Berry Turbo Rinser

Model B-TR-1



The **Berry' Turbo Rinser** is a multi purpose water saving rinser. It is primarily used as a high pressure, low volume shackle rinser for sanitation.

Berry Turbo Rinser



Height	Approximately 62 ”
Width	Approximately 31”
Length	Approximately 56”

Construction:

The **Berry Turbo Rinser** is constructed of quality stainless steel with the rotary unions can be constructed of stainless steel or brass. The Turbo Rinser is suspended from the overhead conveyor by an adjustable stainless steel tubular frame.

Operation:

The Berry Turbo Rinser guides the shackles or birds through the cabinet with adjustable guide bars. This positions the shackles or birds for maximum coverage by the rotating nozzles.

Maintenance:

The nozzles and rotary unions should be checked daily for proper operation. Sanitation is simple and easy.

Berry Plumbing & Equipment

6736 Cleveland Highway, Clermont Georgia 30527

Email: tberry@berryequipment.net

Phone: 770-983-3929 Toll Free Fax: 1-866-808-9957