

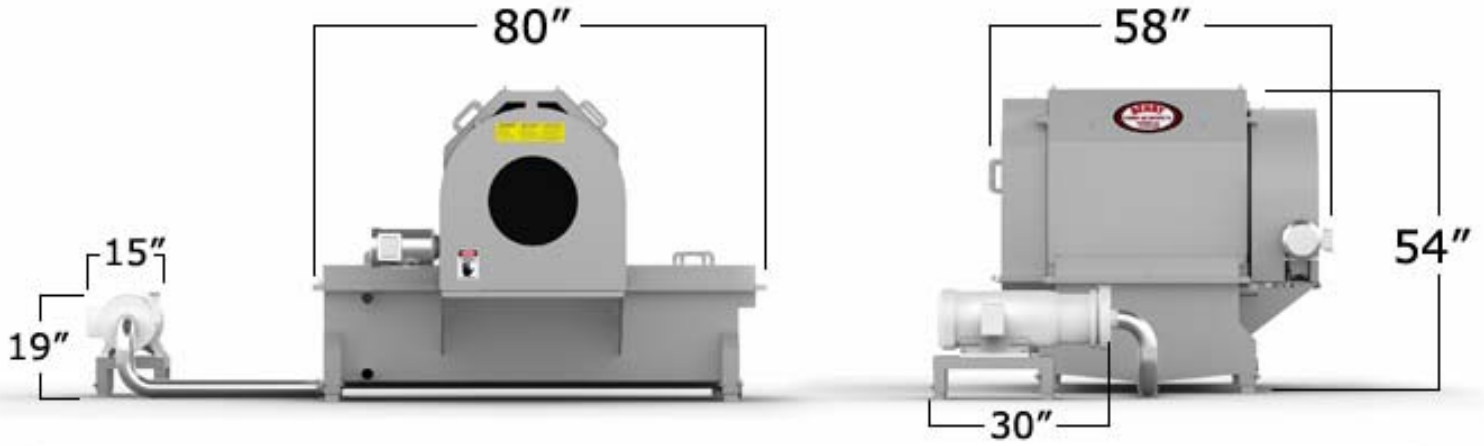
B-WS5



Berry WS5

The Berry Water Re-Use Screen is designed to filter out all heavy solids, separating them from the water coming from the final bird washers and reusing that water in various areas throughout the plant. The screen is made up of stainless steel construction and is gear to gear driven. Capable of recycling up to 200 gallons of water per minute, the Water Re-Use Screen set up has a tank with a fresh water make-up float valve and is connected to a pump also rated at 200 GPM.

Berry WS5



WATER	2" PUMP CONNECTION
ELECTRICTY	230/460V, 2HP, 3 PHASE, 56C
CAPACITY	Up to 200 GPM
HEIGHT	54" APPROX
WIDTH	80" APPROX
LENGTH	58" APPROX

The specifications as stated herein are the most current at the time of publication. However, consistent with our standard of continual product development, we reserve the right to change the design without notice or obligation to modify any equipment previously sold or delivered. 12/31/2000

Berry Plumbing & Equipment
6736 Cleveland Highway, Clermont Georgia 30527
Email: tberry@berryequipment.net
Phone: 770-983-3929 Toll Free Fax: 1-866-808-9957

Berry WS5

Construction:

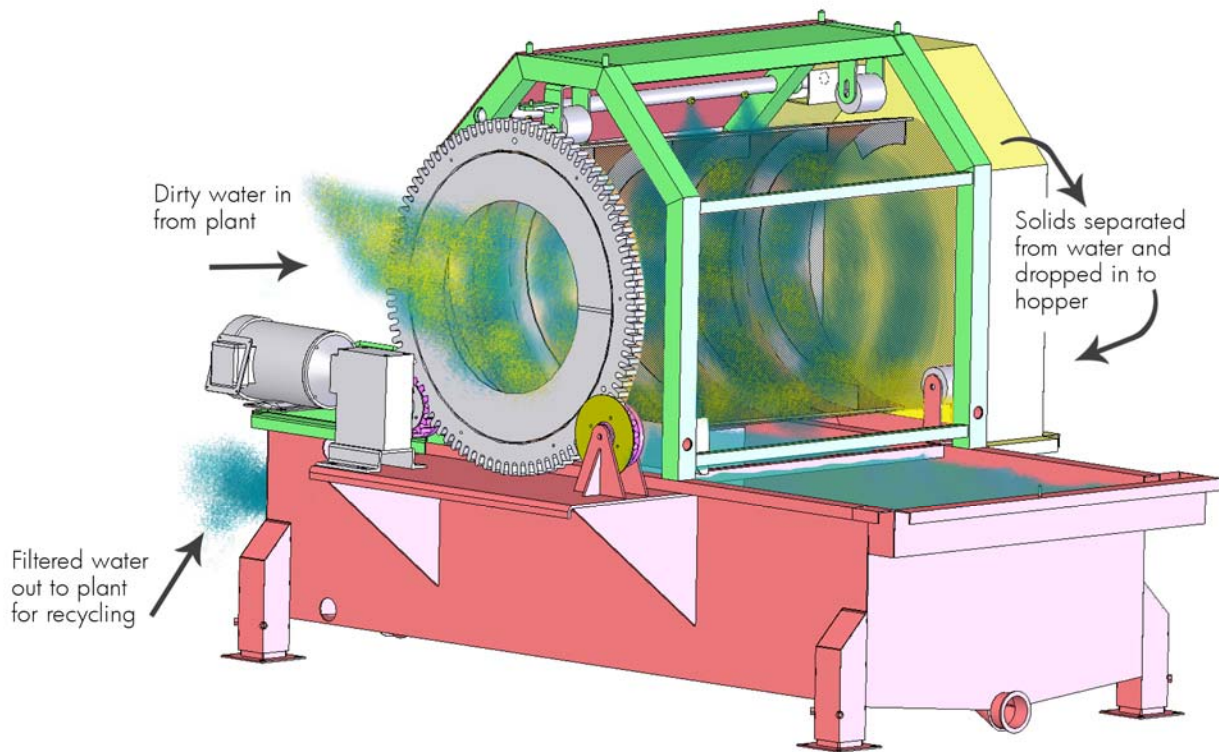
The **Berry WS5** is designed for maximum safety and ease of operation. The machine is constructed entirely of stainless steel and UHMW for durability and easy cleanup.

Operation:

The **Berry WS5** is a gear driven rotary screen built of stainless steel construction that is capable of recycling up to 200 GPM of water from the bird washers and/or other processing equipment.

Maintenance:

With proper operation, the only other maintenance the **Berry WS5** requires is daily cleaning and checking of various parts such as the bearings, gears and rollers for wear and fractures.



The specifications as stated herein are the most current at the time of publication. However, consistent with our standard of continual product development, we reserve the right to change the design without notice or obligation to modify any equipment previously sold or delivered.

12/31/2000

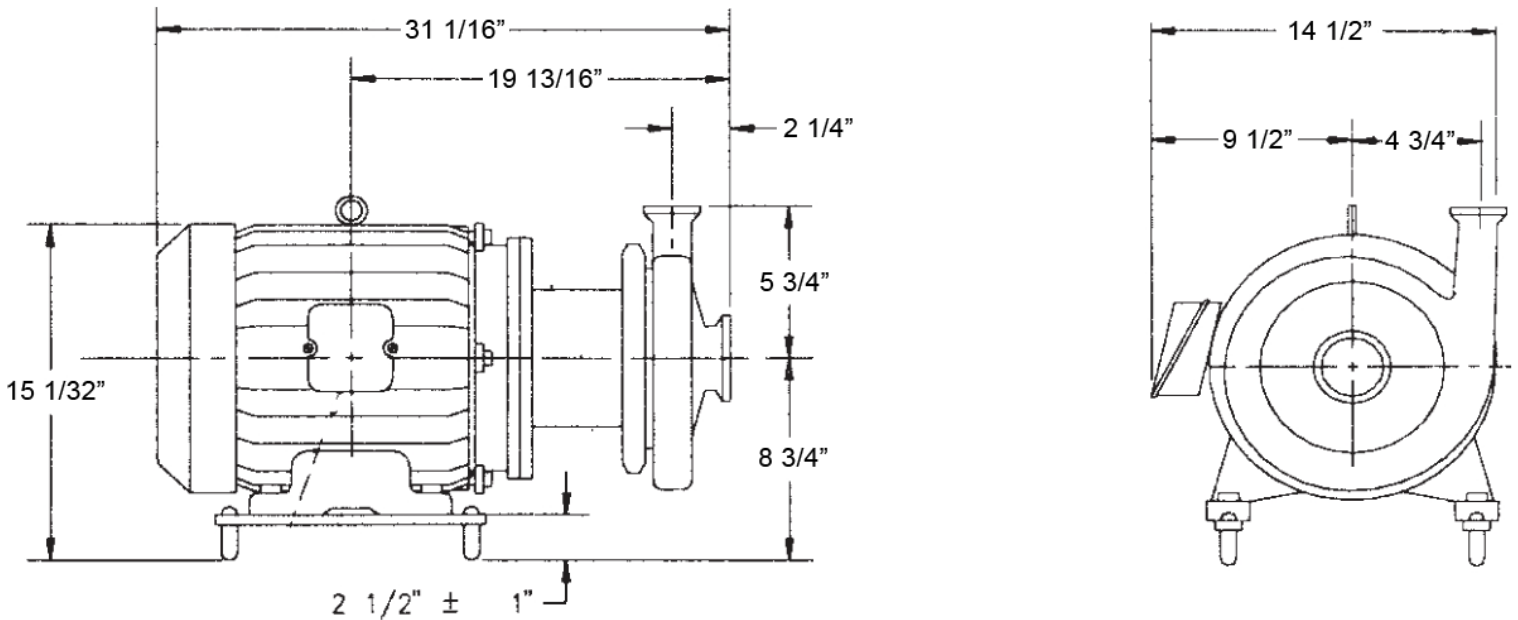
Berry Plumbing & Equipment

6736 Cleveland Highway, Clermont Georgia 30527

Email: tberry@berryequipment.net

Phone: 770-983-3929 Toll Free Fax: 1-866-808-9957

Berry WS5 - Optional Pump & Motor



Optional motor and pump can be ordered separately or together.

WATER	DISCHARGE—2 IN / SUCTION—3 IN
ELECTRICITY	20HP, 3500 RPM, 256TC
CAPACITY	Up to 200 GPM
HEIGHT	15" APPROX
WIDTH	14.5" APPROX
LENGTH	31" APPROX

The specifications as stated herein are the most current at the time of publication. However, consistent with our standard of continual product development, we reserve the right to change the design without notice or obligation to modify any equipment previously sold or delivered.

12/31/2000

Berry Plumbing & Equipment

6736 Cleveland Highway, Clermont Georgia 30527

Email: tberry@berryequipment.net

Phone: 770-983-3929 Toll Free Fax: 1-866-808-9957