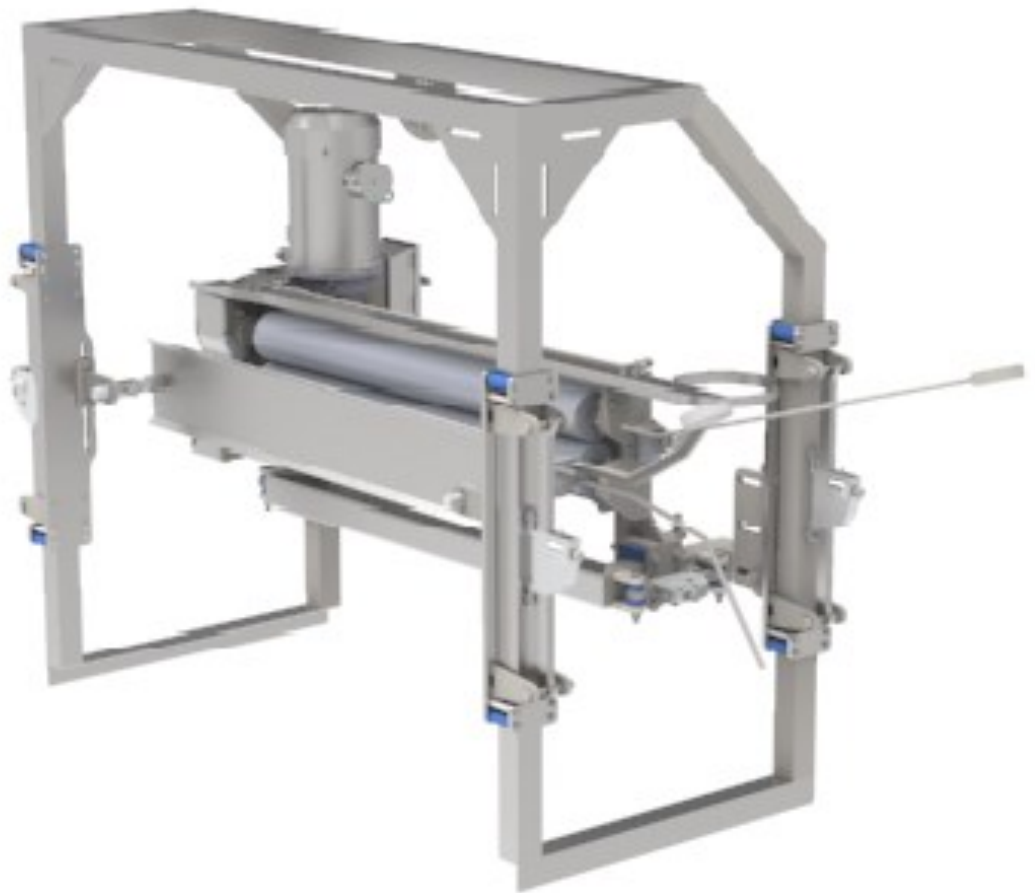
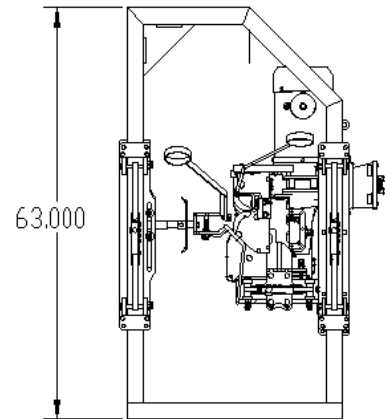
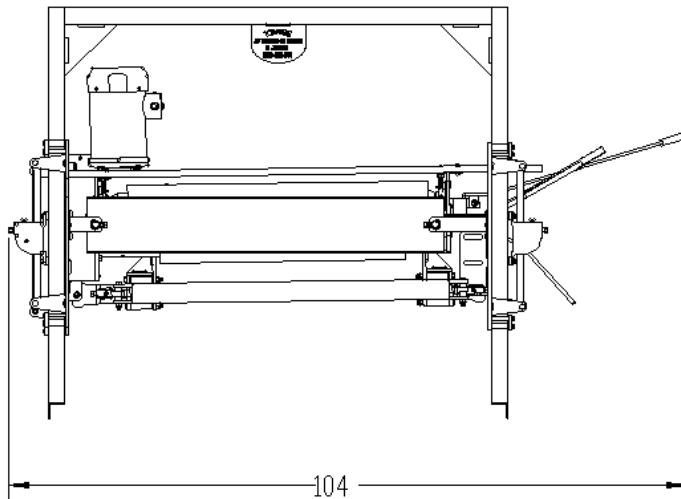
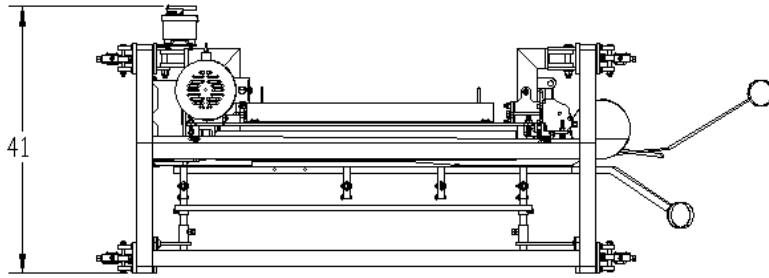


**Model BFPS-BPE-10411 (RH)
BFPS-BPE-10412 (LH)**



The Berry Plumbing and Equipment **Model BFPS-BPE-10411 (RH) BFPS-BPE-10412 (LH) Foot Pad Scrubber** is the latest piece in our paw line, now featuring the heavy duty components. Automatically fed, electrically powered and designed to improve the appearance of the paws of all size bird's lots; the Berry Foot Pad Scrubber Heavy Duty Electric from Berry Plumbing & Equipment will handle any line speed.



MOTOR:	5 HP MOTOR, 60 HZ, 3 PH, 1750 RPM, 208-230/460V
CAPACITY:	DETERMINED BY LINE SPEED
POSITION IN LINE:	AFTER THE DIP TAND AND BEFORE THE PAW HARVESTER
FACING:	DETERMINED FACING BACK OF BIRD (AVAILABLE IN LEFT HAND OR RIGHT HAND MACHINE)
HEIGHT:	APPROX 63"
WIDTH:	APPROX 104"
DEPTH:	APPROX 41"

Berry Plumbing & Equipment

6736 Cleveland Highway, Clermont Georgia 30527
 Email: tberry@berryequipment.net
 Phone: 770-983-3929 Toll Free Fax: 1-866-808-9957

Construction:

The Berry Plumbing & Equipment **Foot Pad Scrubber** is constructed entirely of stainless steel and UHMW for durability and easy cleanup.

Operation:

Automatically fed and electrically powered, the Berry **Foot Pad Scrubber** matches the speed of your Overhead Conveyor. Installed after the Berry Dip Tank, the **Foot Pad Scrubber** features two brushes that massage the foot, assisting in removal of ammonia burns, cuticle, and even fecal matter.

Preventative Maintenance:

With proper operation and regular cleaning, the only other maintenance the **Foot Pad Scrubber** requires is lubrication of bearings and monitoring of the Ammonia Paw Scraper Blades for sharpening.

Berry Ammonia Paw Scraper

The Ammonia Paw Scraper is designed for the **Berry** Foot Pad Scrubbers. The APS attachment fits on a specially designed brush and shaft and is positioned as the top brush on the **Berry** Foot Pad Scrubbers. The ammonia paw scraper attachment goes on the exit end to aid in the removal of ammonia burns from the paws.



The specifications as stated herein are the most current at the time of publication. However, consistent with our standard of continual product development, we reserve the right to change the design without notice or obligation to modify any equipment previously sold or delivered. 4/06/2022

Berry Plumbing & Equipment

6736 Cleveland Highway, Clermont Georgia 30527

Email: tberry@berryequipment.net

Phone: 770-983-3929 Toll Free Fax: 1-866-808-9957